

Bayesian Alignments of Warped Multi-Output Gaussian Processes

Workshop on Deep Probabilistic Models

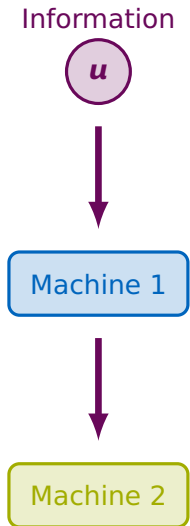
Markus Kaiser
markus.kaiser@siemens.com

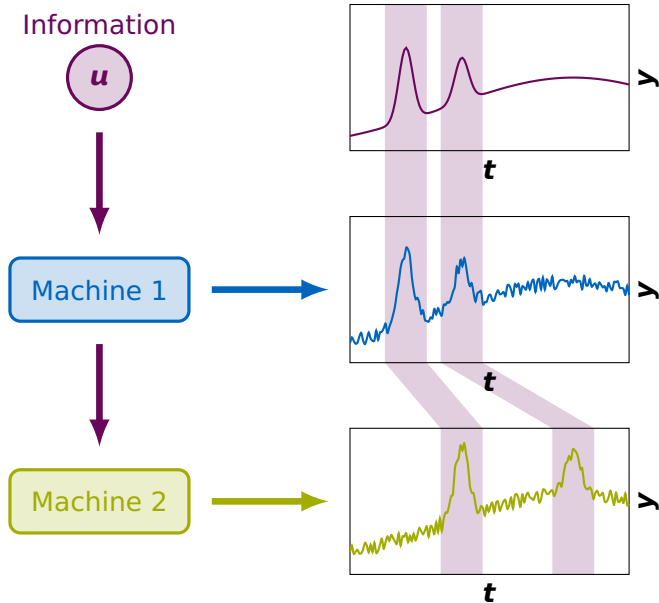
15. September 2017

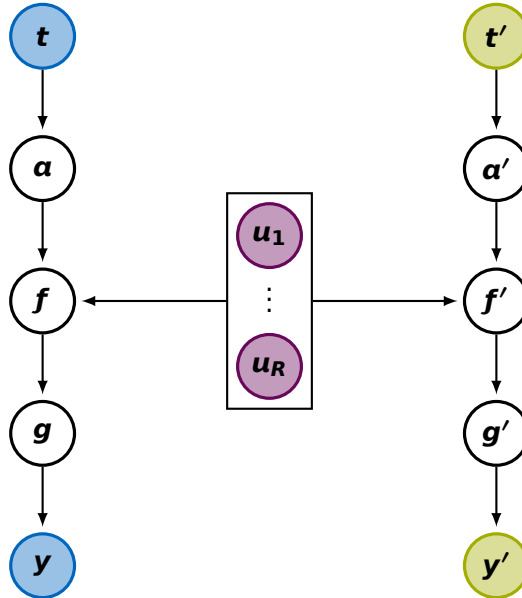


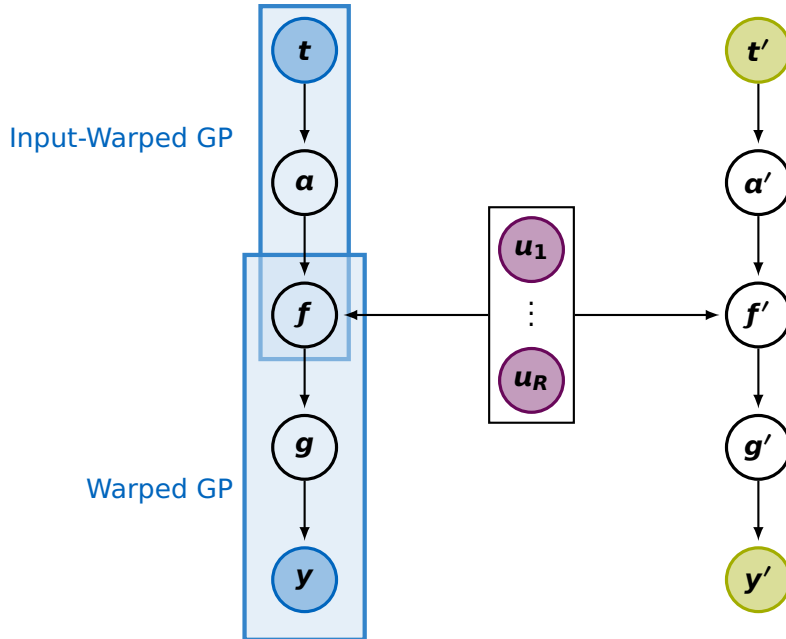
SIEMENS
Ingenuity for life

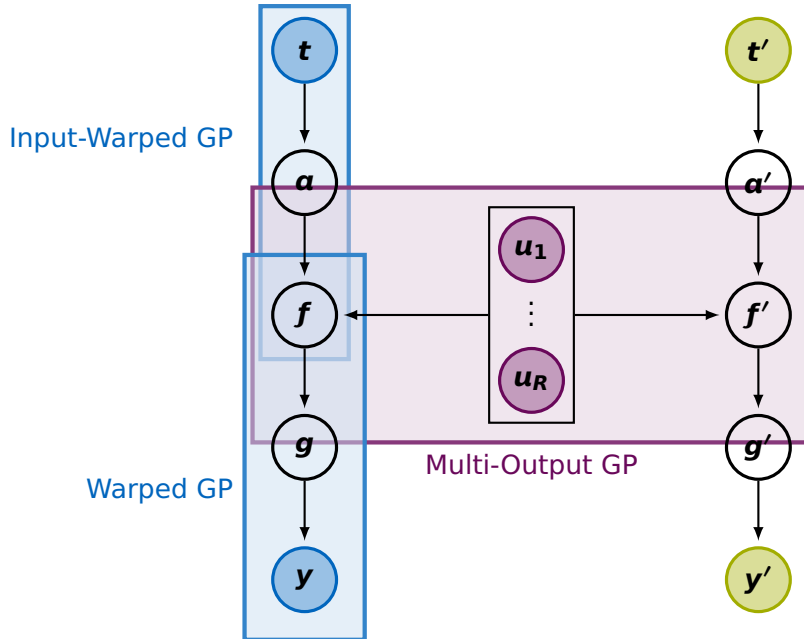


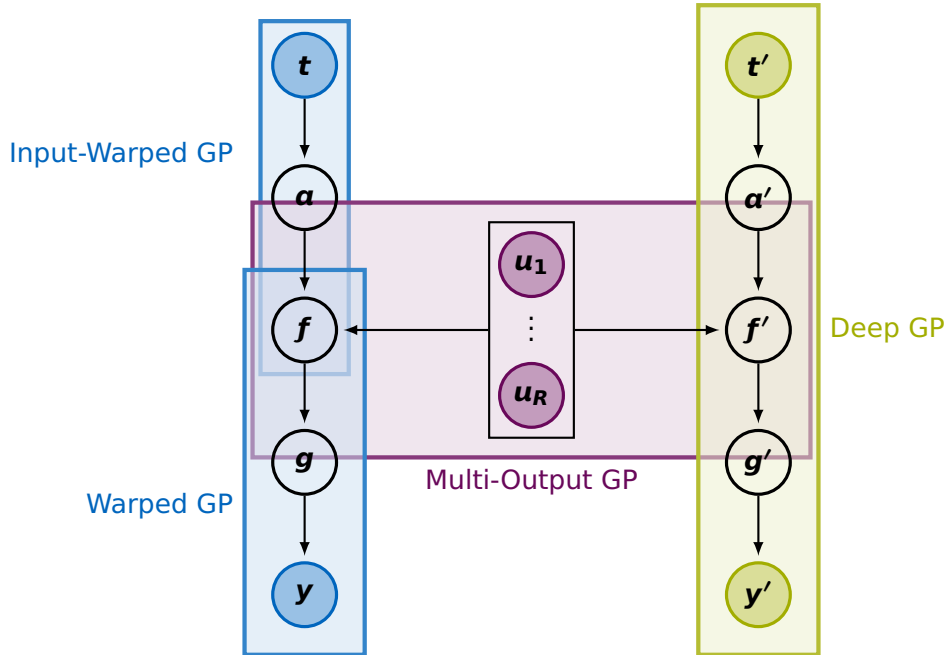


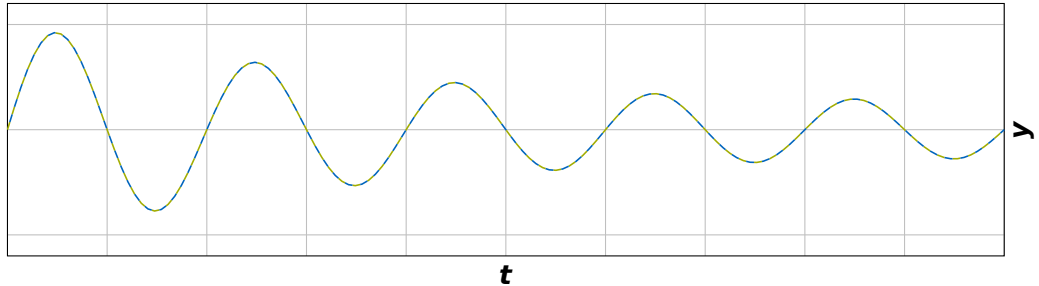
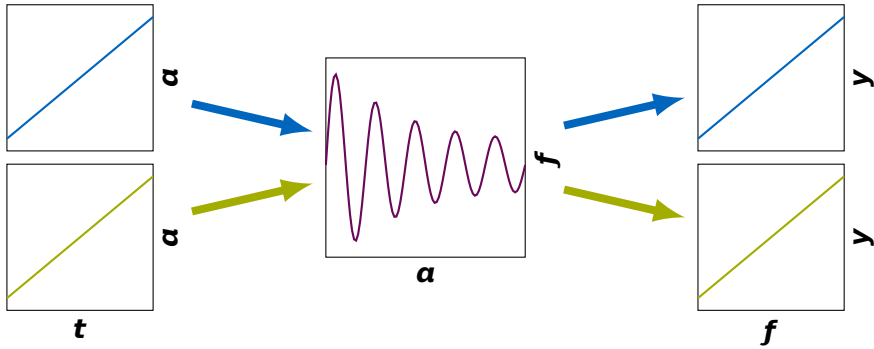


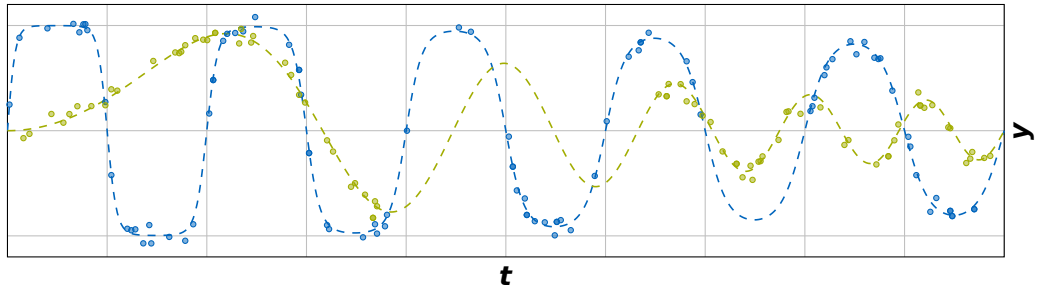
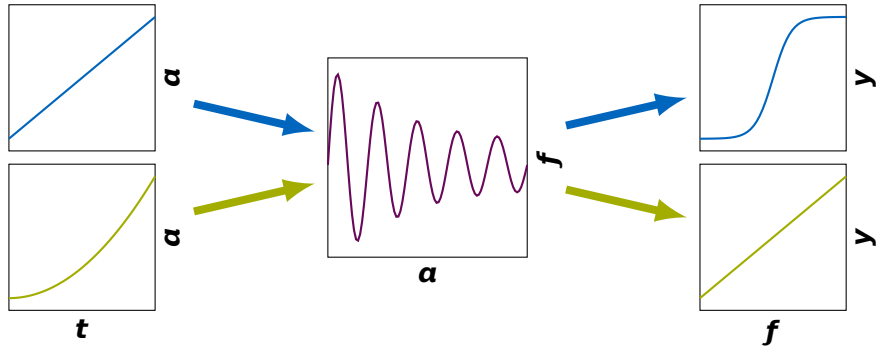


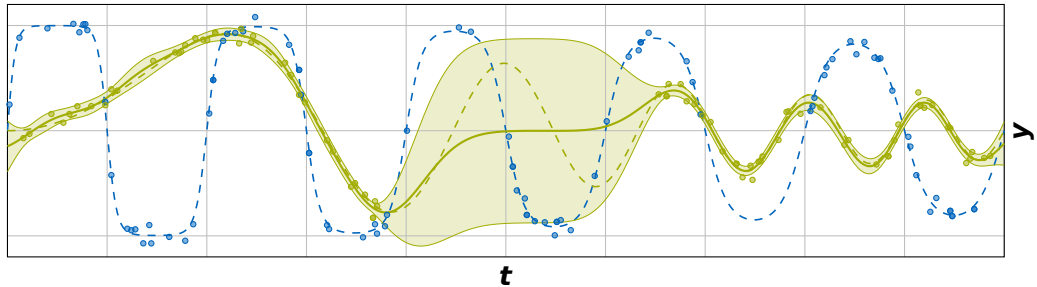


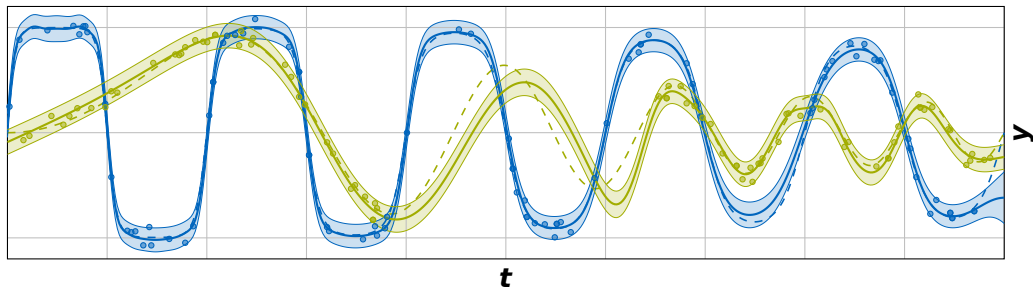
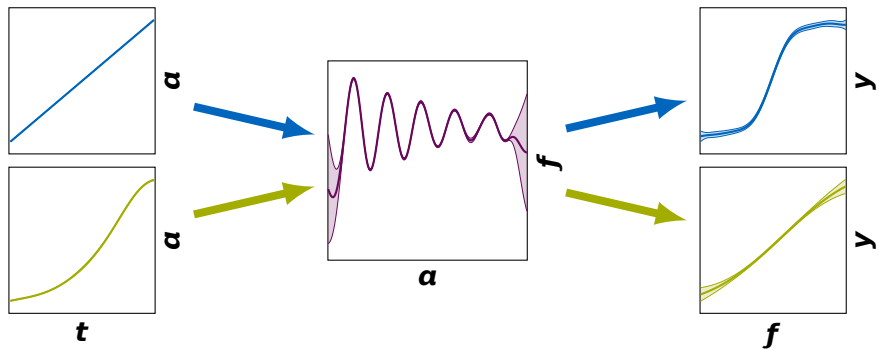


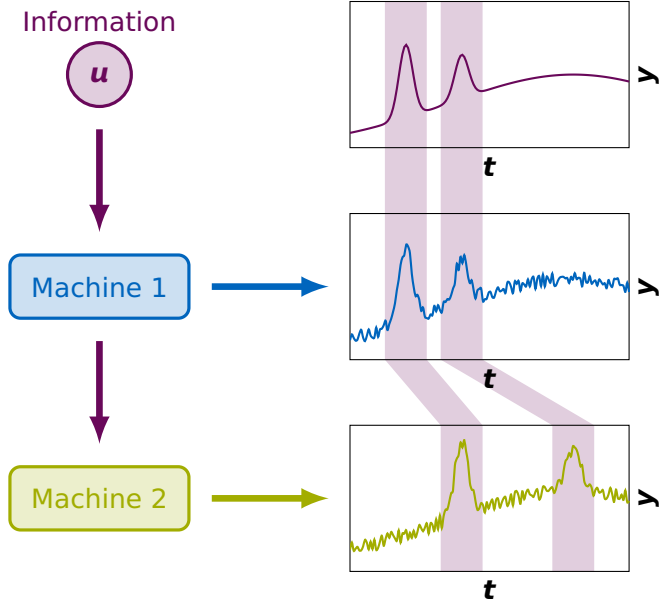


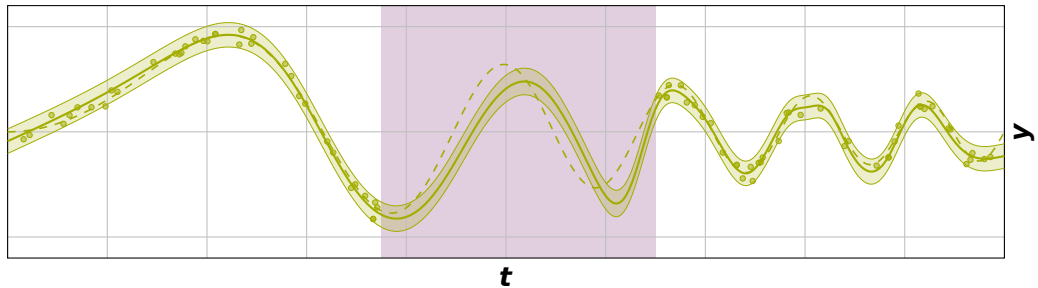
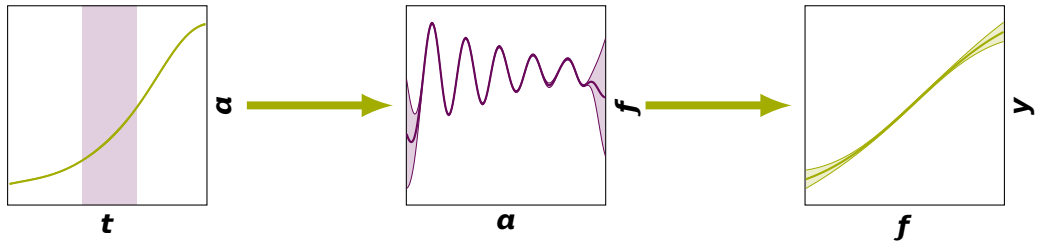


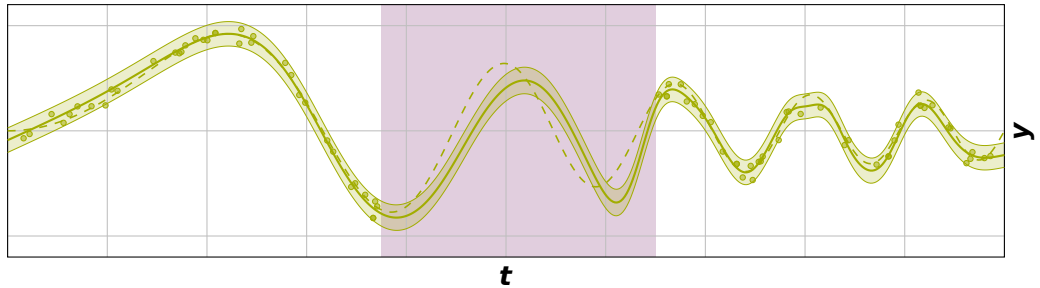
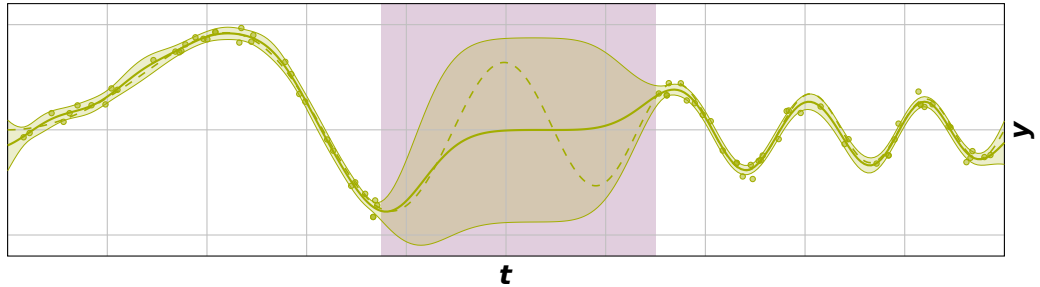












Our model yields

- A separation into hierarchical components...
- ... which are interpretable

Open questions

- How to characterize “sensible” solutions?
- How to restrict the model to “sensible” solutions?
- How to incorporate expert knowledge?

Markus Kaiser — markus.kaiser@siemens.com

